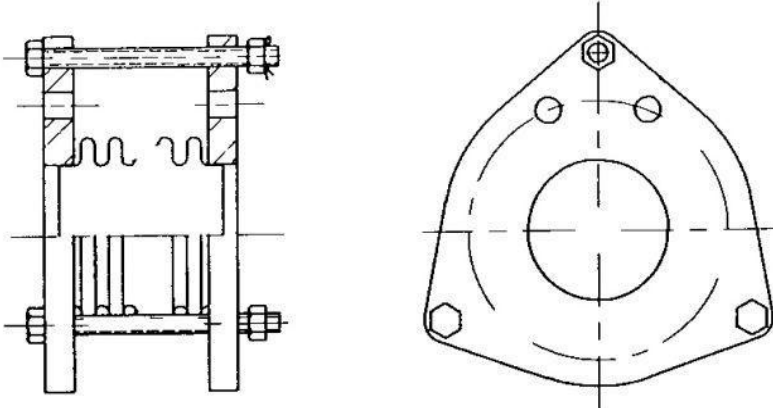


**UNISOURCE
SERIES 419
Bellows Type
Pump Connector**



Construction, Materials:

Bellows: 2-Ply A240-304
Stainless Steel

Tie Rods: Carbon Steel – 3 Rods

Flanges: Triangular Tie-Rod
Flanges—150# ASA
Drilling. Carbon Steel.

Vacuum Rating: Full

Qty	Size (In)	Model Number	Overall Length (Inches)	W.P. @ Temp. (PSIG)		Weight (Lbs.)	Rated Comp. (In.)	Rated Extension (In.)	Rated Offset (In.)	Effective Area (In. ²)
				@ 70°F	@ 360°F					
	2	419-200	6	225	210	8.0	15/16	5/16	3/8	6.9
	2-1/2	419-250	6	225	210	8.5	15/16	5/16	5/16	6.9
	3	419-300	6	225	210	10.0	15/16	5/16	¼	8.8
	4	419-400	6	225	210	16.0	15/16	5/16	3/16	15.1
	5	419-500	6	225	210	25.0	15/16	5/16	3/16	23.5
	6	419-600	6	225	210	35.0	15/16	5/16	1/8	33.2
	8	419-800	6	225	210	61.0	¾	¼	3/32	59.3
	10	419-1000	8	225	210	96.0	1-1/4	3/8	1/8	93.5
	12	419-1200	8	225	210	137.0	1-1/4	3/8	1/8	134.0

Customer: _____

Project: _____

Engineer: _____

PO#: _____

UNISOURCE —MFG.

*Unisource Series 419
Type R - Bellows Type
Pump Connector*