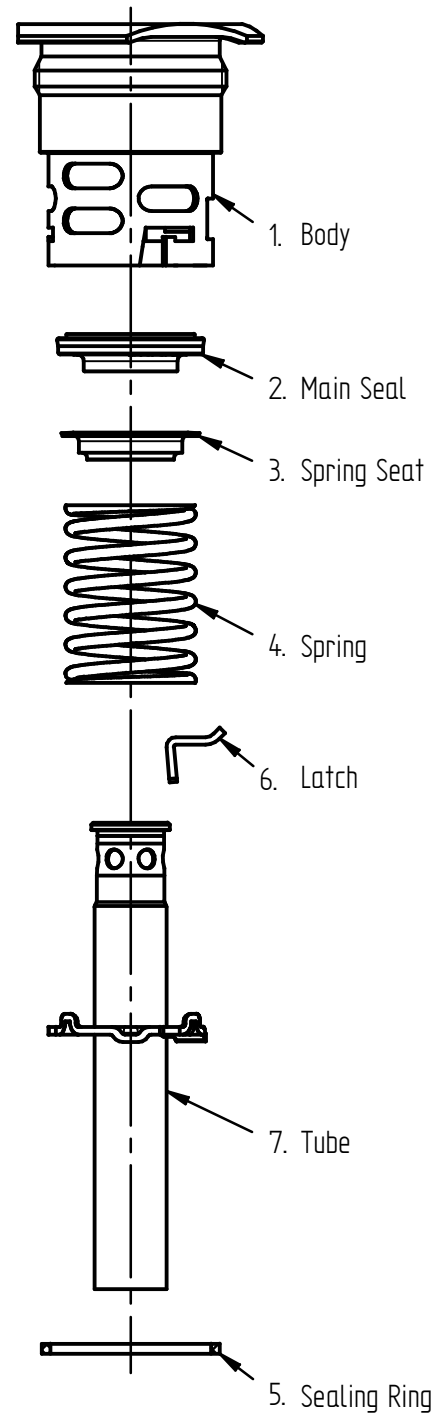
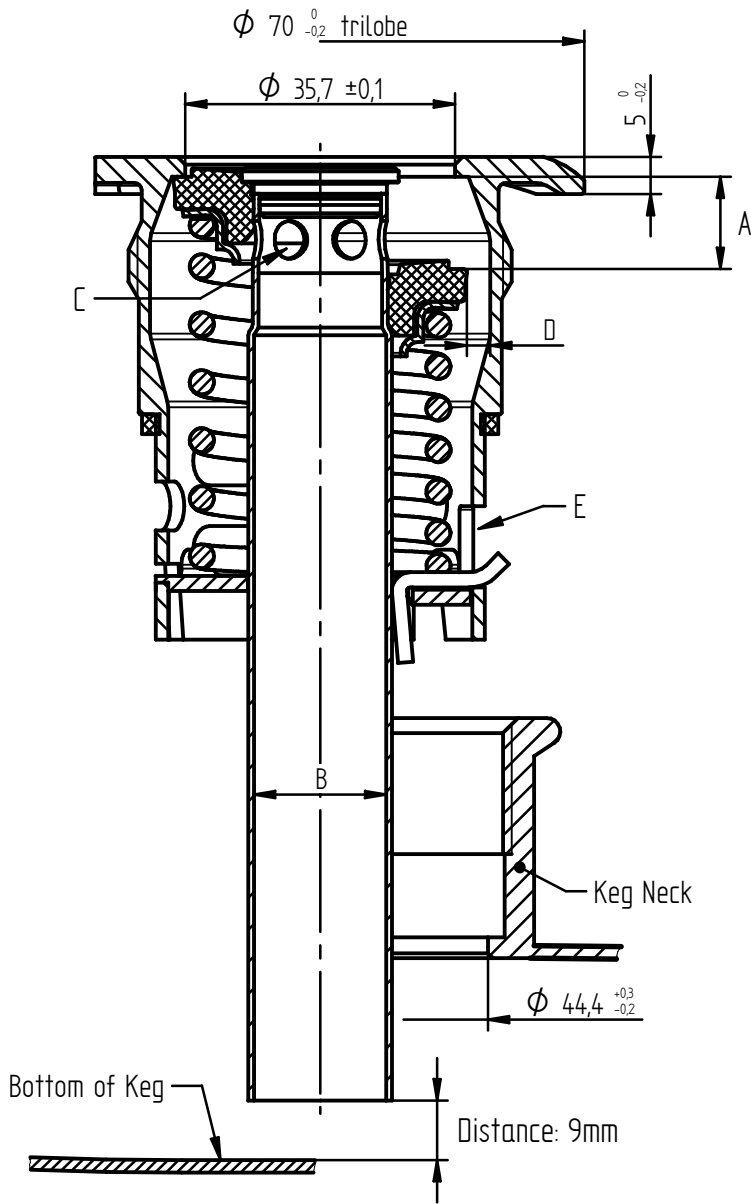


DSI Getränkearmaturen GmbH.

This drawing is the property of Dispense Systems International. The information is confidential and should not be copied for any other purpose without the prior written permission of DSI.

If in doubt, please ask. Samples are required after each revision.



I	Stroke Main Seal Part 2 - Part 1	A	9-12mm
II	Passage through Inner Tube Part 7 Ø17,6	B	240mm ²
	6 Holes in Part 7	C	120mm ²
III	Passage through Outer Tube Part 1 - Part 2	D	470mm ²
	Passages in Part 1	E	1160mm ²
IV	Temperature Resistance	Short-time 160°C	

PRODUCT			REMARKS	ROUGHNESS	SCALE	WEIGHT VOLUME
					MATERIAL	
			DATE	NAME	TITLE	
			DRAWN	03.04.2013 kunze	Technical Data Sheet ET-GR S	
			APPR.			
			NORM			
			PROD. DEV.	DE		
					PROJ. METHOD	SHEET
					REPL.	1
ALTERATIONS			DATE	NAME	ORIGIN	REPL. BY
						2 SHTS.