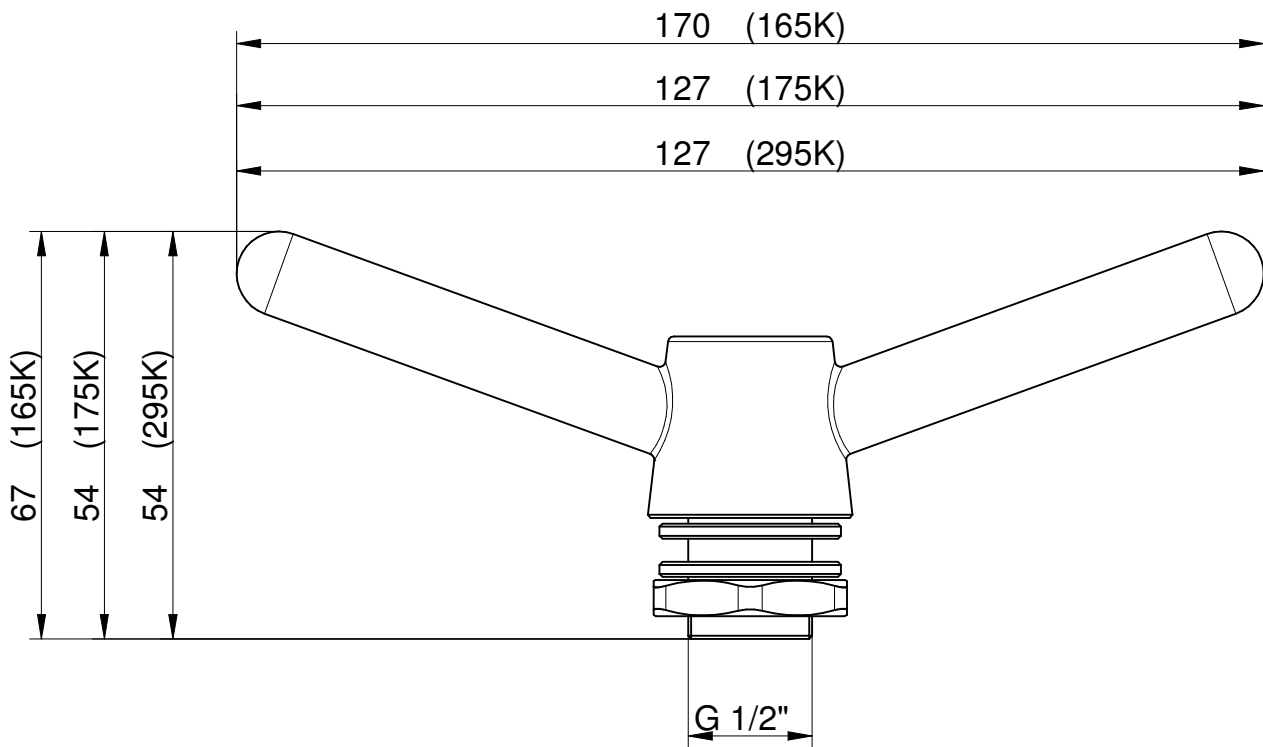




Acciaio inox AISI 304, filettatura in ottone  
M10 (V/I/295K), M14(V/I/Z/175K), M16(V/I/165K)  
Stainless steel AISI 304, brass thread  
M10 (V/I/295K), M14(V/I/Z/175K), M16(V/I/165K)



M10 V/I/295K), M14(V/I/Z/175K), M16(V/I/165K)

