

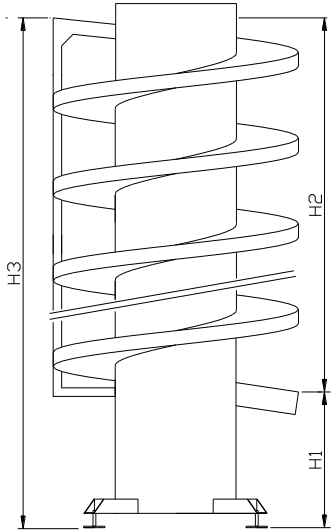


SV - \_\_\_\_\_ - TP HF

Code name (to be specified by AmbaFlex):

SV - belt width - central diameter - pitch - material - no. of winding - configuration - belt speed - transport dirct. - TP belt type HF high friction

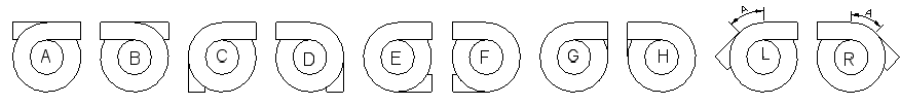
**Dimensions**



(H1)	Bottom roller height :	_____ "f"
(H3)	Top roller height :	_____ "f"
(H2)	Height difference :	_____ "f"
(B)	Belt width :	<input type="checkbox"/> 5.5" <input type="checkbox"/> 8" <input type="checkbox"/> 12" <input type="checkbox"/> 16" <input type="checkbox"/> 20" <input type="checkbox"/> 24" <input type="checkbox"/> >24" <sup>*1</sup>

**Configuration:**

A  B  C  D  E  F  G  H  L  R  
A \_\_\_\_\_ A \_\_\_\_\_



**Application**

Transport direction :	<input type="checkbox"/> Up (TU)	<input type="checkbox"/> Down (TD)	<input type="checkbox"/> Reversible (TA)	<input type="checkbox"/> Belt speed ____ ft/min
Use:	<input type="checkbox"/> lift	<input type="checkbox"/> buffer _____ ft/length	<input type="checkbox"/> buffer _____ items	<input type="checkbox"/> Combination
Start / stop operation :	<input type="checkbox"/> No (only emergency stop)	<input type="checkbox"/> Yes no . of stop per hour _____		<input type="checkbox"/> Product indexing
Environment / material :	<input type="checkbox"/> Dry / painted mild steel (S)	<input type="checkbox"/> Wet / High Corrosion Resistant (CR)	<input type="checkbox"/> Wash down / all stainless steel (RS)	

**Products to be transported**

Type	Rectangular cases / cartons	Rectangular plastic containers	Stackable containers / totes	Newspaper bundles
	Paper bags without string	Trays with cans / bottles	Wrapped bottles	Trays with (frozen) food
	Individual round cans	Parcels / express post	Flow pack	Books / magazines
<input type="checkbox"/> Different : _____				
Materials in contact	<input type="checkbox"/> Carton <input type="checkbox"/> Soft paper <input type="checkbox"/> Metal <input type="checkbox"/> Hard plastic <input type="checkbox"/> Soft plastic <input type="checkbox"/> Glass <input type="checkbox"/> Wood			
Special	<input type="checkbox"/> Shrink wrapped in foil	<input type="checkbox"/> Cross strapped	<input type="checkbox"/> Ribbed bottom	<input type="checkbox"/> Different : _____

**Product details**

Products	Dimensions (L x W x H)	Leading side	Weight	Throughput (Nominal)	Peak rate (Nominal + %)	Average load
Minimum	_____ x _____ x _____ ["f"]	<input type="checkbox"/> short side <input type="checkbox"/> long side	_____ lbs	_____ / min	+ _____ %	_____ lbs/ft
Maximum	_____ x _____ x _____ ["f"]	<input type="checkbox"/> short side <input type="checkbox"/> long side	_____ lbs	_____ / min	+ _____ %	
Average	_____ x _____ x _____ ["f"]	<input type="checkbox"/> short side <input type="checkbox"/> long side	_____ lbs	_____ / min	+ _____ %	