

NEW PRODUCT

A Bubbler cylinder is a component of a unit for the metal organic chemical vapor deposition (MOCVD). They are devices that are used for delivery electronic grade metalorganic compounds from a liquid or solid precursor into a usable vapor.

King Lai, a manufacturer of standard and custom made cylinders.

We're able to build the bubbler cylinders with varied dimensions and characteristics especially meet each customer's needs.

King Lai's bubbler cylinders are built in controlled environments according to DOT 4B and also for each customers' critical standards.

Our standard material is 316L stainless but other materials may be selected as desired.

We also have the capability to rebuild old cylinders.

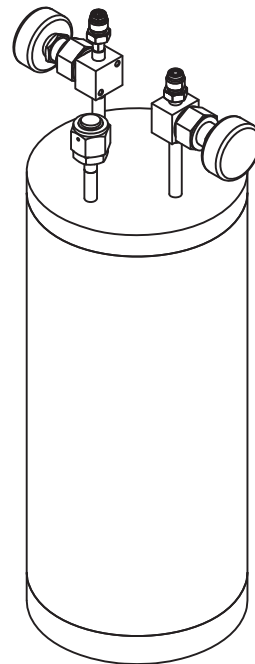
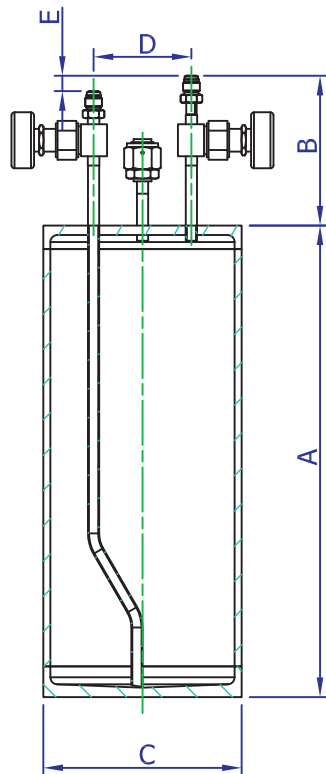
Our cylinders are the reliable, secure, and cost-effective choice.



Bubbler Cylinder Specifications

Volume (standard)	100ml, 200ml, 500ml, 1L, 1.2L, 2.5L, 4L, 5L, 8L
Helium-Leak Test	1×10^{-9} mbar
Service Pressure	300 psi
Test Pressure	600 psi
Bursting volumetric expansion rate	<10%
Interior/Exterior Surface finish	Electro polished Ra 0.3 ↓
Certification	DOT Compliant
Options	Markings, branding, handles, packaging, level sensors, and others

Part Number	A(mm)	B(mm)	C(mm)	D(mm)	E(mm)	INLET & OUTLET PORT	KL NO
100ml	76.2	145	Ø50.8	83	13	1/4" MVCR	BC-0100
200ml	133.4	145	Ø50.8	83	13	1/4" MVCR	BC-0200
500ml	139.7	145	Ø76.2	83	13	1/4" MVCR	BC-0500
1000ml	158.8	135	Ø101.6	83	13	1/4" MVCR	BC-1000
1200ml	184.2	135	Ø101.6	83	13	1/4" MVCR	BC-1200
2500ml	219.7	95.3(135)	Ø168.3	83	13	1/4" MVCR	BC-2500
4000ml	254.0	135	Ø165.2	83	13	1/4" MVCR	BC-4000
5000ml	304.8	135	Ø165.2	83	13	1/4" MVCR	BC-5000
8000ml	400.0	127	Ø168.3	83	13	1/4" MVCR	BC-8000



KL KING LAI[®] KING LAI HYGIENIC MATERIALS CO., LTD.

* Address/ No.7, 9th East Street, Youth Industrial Zone,
Tachia, Taichung Hsien, Taiwan, R.O.C.

* Telephone/ 886-4-26810509 * Fax/ 886-4-26814962

* Email/ sales@kinglai.com.tw * Website/ www.king-lai.com

ISO 9001:2008
C E R T I F I E D

ISO 14001:2004
C E R T I F I E D

