



Specification Sheet

HMS2500 Flange Style Mag Meter

**LIQUID
CONTROLS**
A Unit of IDEX Corporation



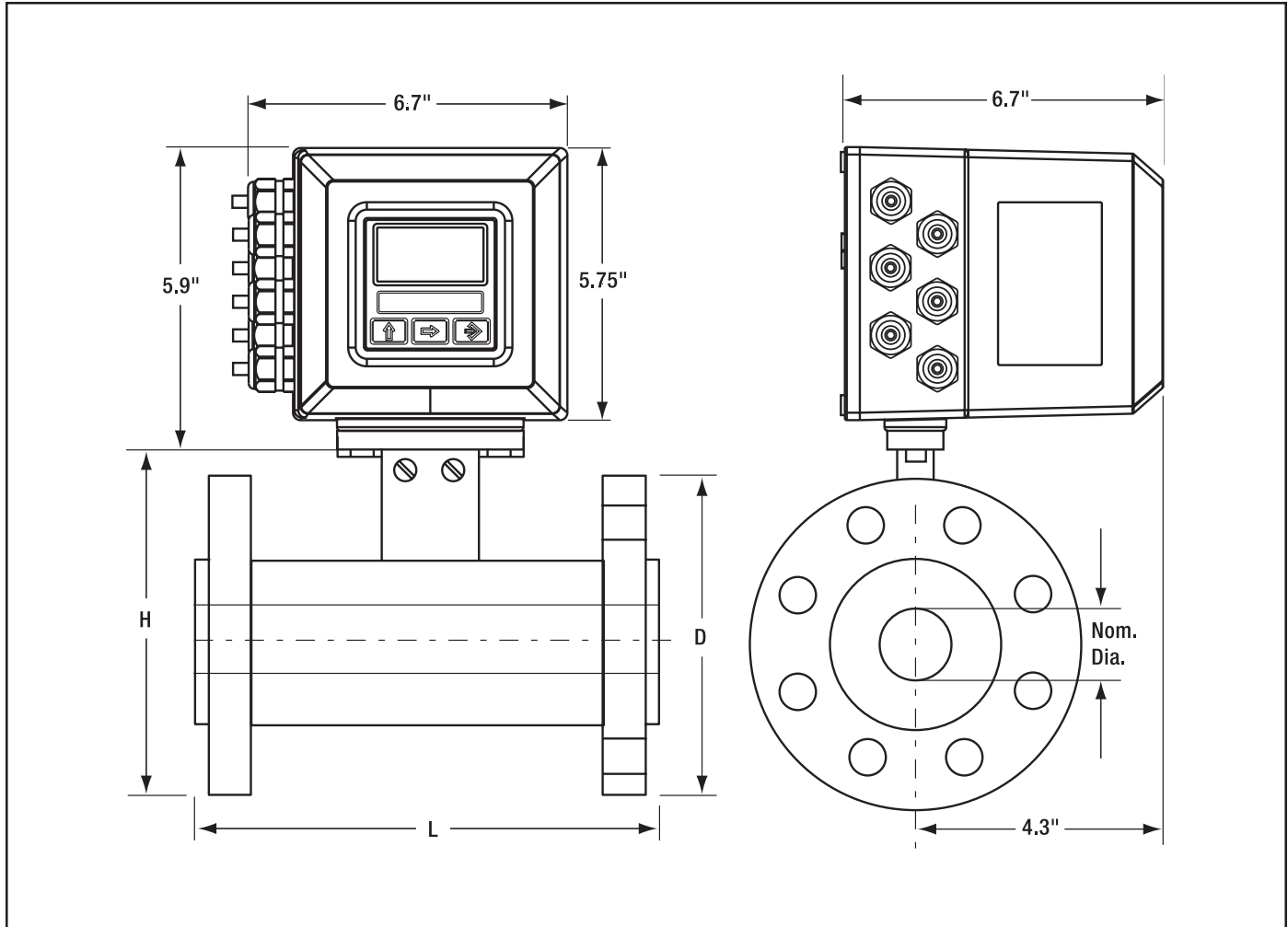
The HMS2500 is a flanged style meter perfect for general industrial applications as well as water and waste water applications. Meters are available with nominal diameters from 1" to 72" and flow rates from 7.9 to 400,000 GPM (30 to 1,516,667 L/min). PTFE (Teflon) liners are available in 1" to 72" models; Polypropylene liners are available in 1" to 6" models; Ebonite liners are available in 8" to 72" models. Electrodes available in 316 Stainless Steel, Hastelloy C, Titanium, Tantalum, and Platinum.



**HMS2500 with
HML210 Converter**

Body Material	Carbon steel
	304 Stainless steel
	316 Stainless steel
Nominal Diameter	1" to 72"
Working Pressure	225 PSI (16 Bar)
	575 PSI (40 Bar) optional
Process Connection	ANSI 150# raised face
	ANSI 300# raised face
	AWWA Class D, 8" to 40"
Liquid Temperature	Polypropylene liner: 32° to 140°F (0° to 60°C)
	Ebonite liner: 23° to 176°F (-5° to 80°C)
	PTFE (Teflon) liner: -4° to 212°F (-20° to 100°C)
Lining Material	Polypropylene (sizes 1" to 6")
	Ebonite (sizes 8" to 72")
	PTFE - Teflon (sizes 1" to 40")
Electrode Material	316 stainless steel, Titanium, Hastelloy C
	Tantalum (not with Polypropylene liner)
	Platinum (not with Polypropylene liner)
Protection Rating	IP67 or IP68 depending on configuration
Liquid Conductivity	5µS/cm minimum
Converters	HML110, HML210, HML3-F1

Dimensions



HMS2500 Flanged Style Sensor Dimensions (inches)

Nominal Diameter	1"	1.25"	1.5"	2"	2.5"	3"	4"	5"	6"	8"	10"	12"	14"	16"	18"	20"	24"
Dimensions L	7.9	7.9	7.9	7.9	7.9	7.9	9.8	9.8	11.8	13.8	17.7	19.7	21.7	23.6	23.6	23.6	23.6
H	7.3	8	8.4	9	9.8	10.4	11.1	12.3	13.5	15.7	18.1	20.3	22.6	24.8	27.2	29.8	34.6
D	4.5	5.5	5.9	6.5	7.3	7.9	8.7	9.8	11.2	13.4	15.9	18.1	20.5	22.8	25.2	28.1	33.1
Weight (Lbs)	20	26.5	30.9	33	35.3	50.7	57.3	88.2	94.8	154	221	221	441	551	604	706	902

** For models larger than 24" (up to 72") contact the factory*

NOTE: Dimensions shown are not for construction use.
Consult factory when certified Engineering Drawings are required.



LIQUID CONTROLS
A Unit of IDEX Corporation
105 Albrecht Drive
Lake Bluff, IL 60044-2242
1.800.458.5262 • 847.295.1050
Fax: 847.295.1057
www.lcmeter.com

© 2005 Liquid Controls
(01/25/05)

