



Specification Sheet

HMS5000 Pipe Clamp Style Mag Meter



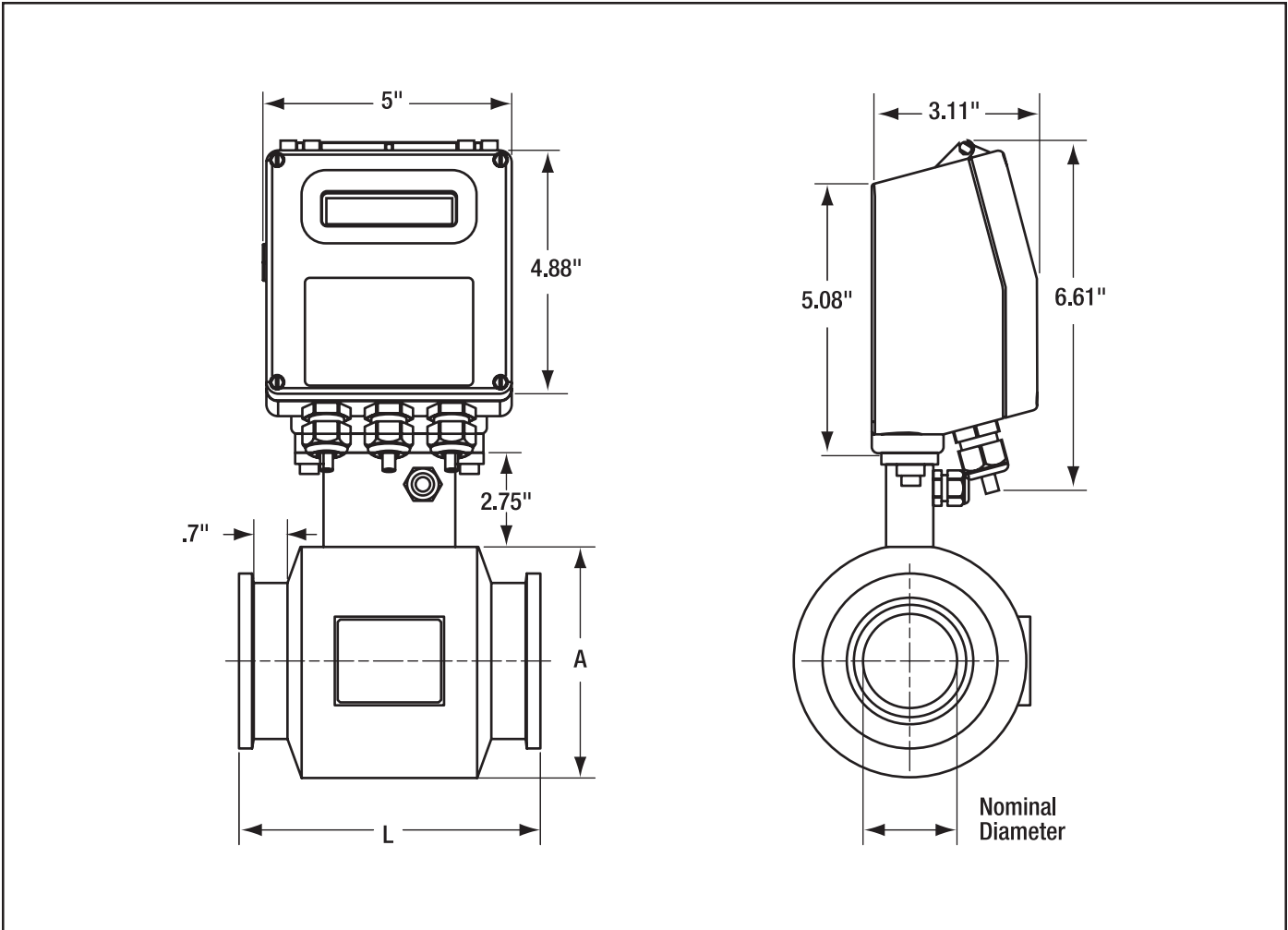
The HMS5000 is a pipe clamp style meter perfect for low cost water and waste water applications. Meters are available with nominal diameters from 3/4" to 3" and flow rates from 1.3 to 800 GPM (5 to 3,000 L/min). The HMS5000 is molded Polyurethane. Electrodes are available in 316L Stainless Steel, Hastelloy C, and Titanium.

Body Material	1 piece molded polyurethane
Nominal Diameter	3/4" to 3"
Working Pressure	85 PSI (6 Bar)
Process Connection	Clamp-on
Liquid Temperature	32° to 122°F (0° to 50°C)
Lining Material	Polyurethane
Gasket Material	FPM EPDM
Electrode Material	316L stainless steel, Titanium, Hastelloy C
Protection Rating	IP67 or IP68 depending on configuration
Liquid Conductivity	5µS/cm minimum
Converters	HML110 only
Accuracy	±2%
Repeatability	0.5%



HMS5000

Dimensions



HMS5000 Pipe Clamp Style Sensor Dimensions (inches)							
Nominal Diameter	.75"	1"	1.25"	1.5"	2"	2.5"	3"
Dimensions L	5.3	5.3	5.3	5.3	6.3	6.3	7.5
A	2.75	3.1	3.5	3.9	4.9	5.1	6.1
Weight (Lbs)	1.8	2.4	3.3	4.0	4.9	6.0	7.5

NOTE: Dimensions shown are not for construction use.
Consult factory when certified Engineering Drawings are required.



LIQUID CONTROLS
A Unit of IDEX Corporation
105 Albrecht Drive
Lake Bluff, IL 60044-2242
1.800.458.5262 • 847.295.1050
Fax: 847.295.1057
www.lcmeter.com

© 2005 Liquid Controls
(03/31/05)

