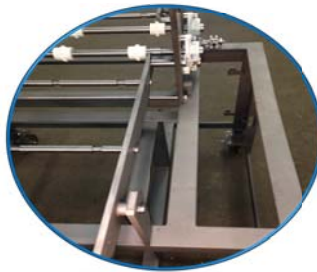


# CON-VEY CUBER

*Tenderizers/Macerators*

The Bridge Con-Vey Cuber Tenderizer has been designed to allow for the inline tenderizing giving you maximum production efficiency at minimum labor costs for either solid portions or formed patties. The depth of cut is adjustable allowing you to produce lightly scored to deep cut product to suit your needs.



ANGLE STAINLESS STEEL  
FRAME



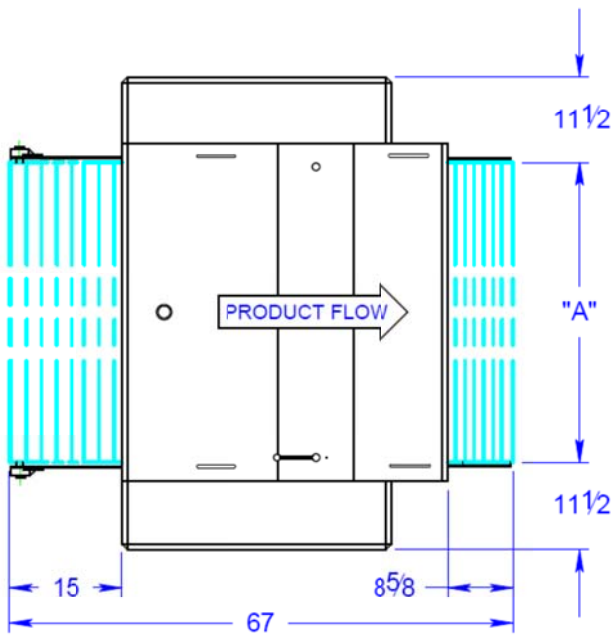
PLASTIC KVP STYLE  
BELTING



WIRE BELTING

<b>BELT STYLES</b>
Wire Belt
Plastic KVP Style Belt
<b>MACHINE BELT WIDTHS</b>
12", 18", 24", 30", 36", 40"
<b>BLADE TYPES</b>
2 3/4" Diameter Blades
3 1/2" Diameter Blades
5" Diameter Blades
<b>OTHER BLADE OPTIONS:</b>
Top Cut Only (solid nylon bottom roller)
<b>STANDARD FEATURES</b>
Removable Top and Bottom Tenderizing Shafts
Adjustable Cutting Product Cutting Depth
Standard Washrack for Cleaning and Storage
Drip Tray below Product Area for Product Loss Reclamation
50 ft./min. Belt Speed
Safety Protected Doors
Angle Stainless Steel Frame
Stainless Steel Motor and Reducer
24VAC Safety Circuit
Electric Drive (208, 230, 460VAC)
<b>DRIVE OPTIONAL FEATURES</b>
Variable Speed Electrical Controls
Variable Speed for Use with Central Hydraulics
Watershed Electrical Box

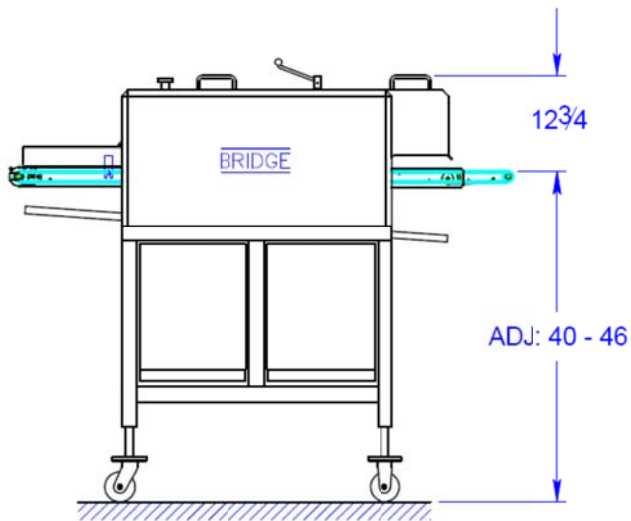
**BRIDGE**  
MACHINE COMPANY, LLC



THE CC IS AVAILABLE IN VARIOUS WIDTH MODELS  
A = 12, 18, 24, 30, 36, 40

## MACHINE WIDTH PER BELT SIZE

Belt Width	Total Model Width Dimension
Inches	
12	35"
18	41"
24	47"
30	53"
36	59"
40	63"



## PRODUCTION CAPACITIES

(EXAMPLE CALCULATIONS)

Belt Width	Production Capacity (LBS)
Inches	Lbs. Per Hour
12	4,050
18	6,075
24	8,100
30	10,125
36	12,150
40	13,500