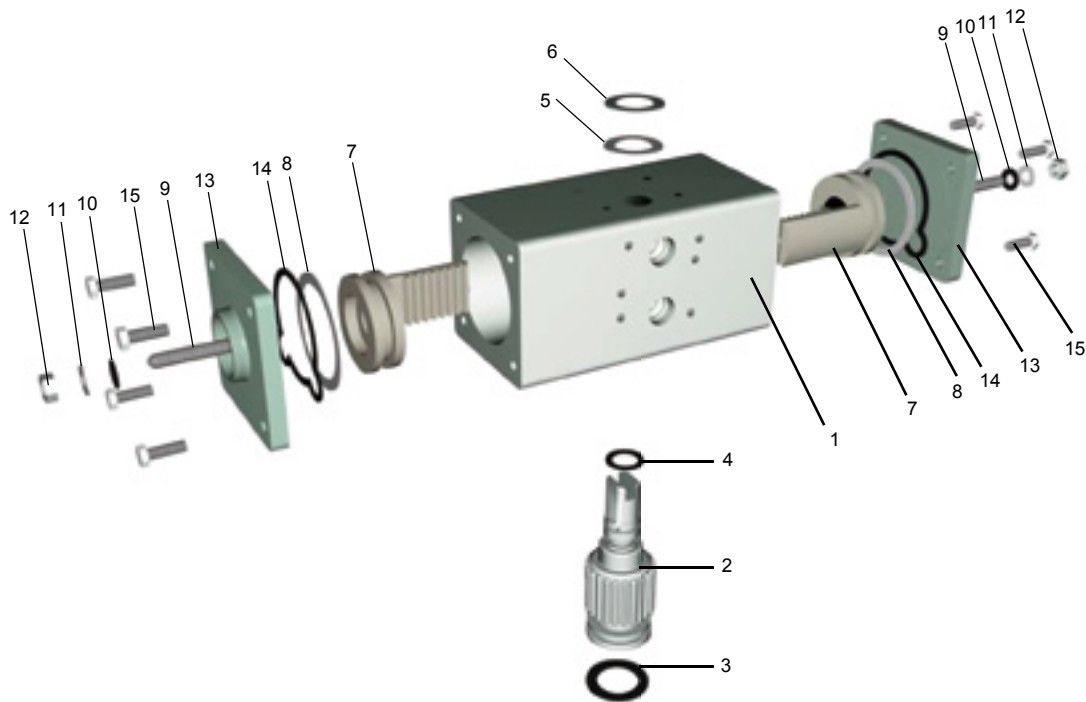


Pneumatic Actuator – HTD032 Parts List



Item	Description	Material	Protection	Q'ty	Optional
1	Actuator Body	Extruded Alluminum Alloy	Hard Anodized (over 30um)	1	Nickel or PTFE Plated
2	Pinion	Alloy Steel	Nickel Plated (over 25um)	1	
3*	O-Ring(Lower Pinion)	NBR		1	Viton / Silicone
4*	O-Ring(Top Pinion)	NBR		1	Viton / Silicone
5	Thrust Bearing(Pinion)	POM		1	
6	Spring Clip	Stainless Steel		1	
7	Piston	Die Cast Aluminum Alloy	Hard Anodized (over 30um)	2	
8*	Piston Seal	NBR		2	Viton / Silicone
9	Stroke Bolt	Stainless Steel		2	
10*	Stroke Bolt O-Ring	NBR		2	Viton / Silicone
11	Stroke Bolt Washer	Stainless Steel		2	
12	Stroke Bolt Retaining Nut	Stainless Steel		2	
13	End Cap	Die Cast Aluminum	Epoxy Coated (over 150um)	2	Nickel or PTFE Plated
14*	End Cap Seals	NBR		2	Viton / Silicone
15	End Cap Bolts	Stainless Steel		8	

*Note: Recommended spare parts for maintenance.