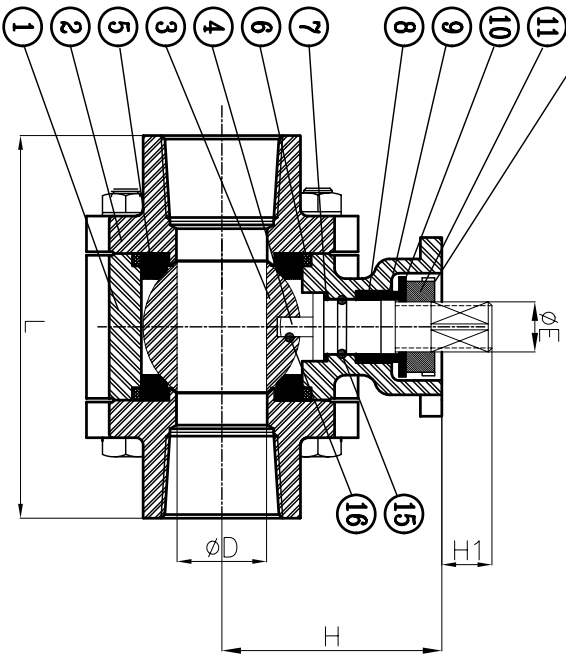
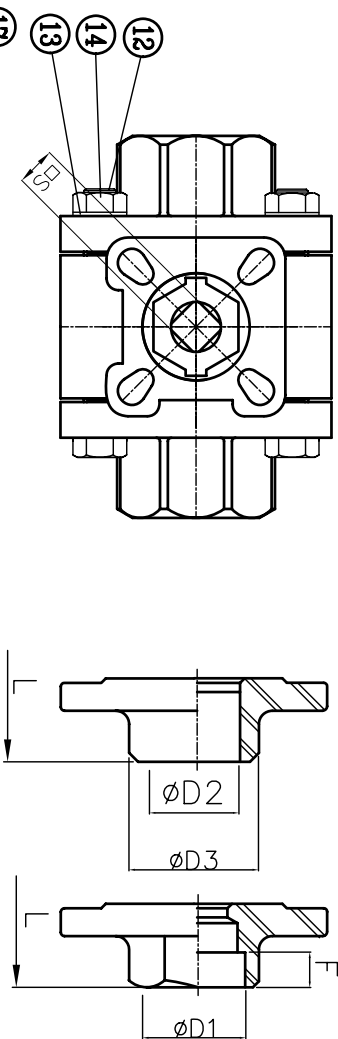


Fig.No. ZT-303D Three Piece Swing-out In-line Maintenance
2000PSI STAINLESS STEEL BALL VALVES-STANDARD PORT

FEATURE & SPECIFICATIONS

- * Direct-mounting of actuators to valves
- * Blow-out proof stem
- * Anti-Static design is standard

- * Working Pressure: 1/2"~1" 2000 WOG,1-1/4"~2" 1500 WOG
- * Temperature range: -20 to 450°F
- * End Type: Threaded Socket & Butt weld



SIZE	ØD	ØD1	ØD2	ØD3	F	L	S	ØE	H	H1	ISO-5211
1/2"	11	22.4	15.8	21.3	9.5	70	9	11.8	33.4	10	F03
3/4"	14.3	27.4	21	27.1	14.3	74	9	11.8	39.5	10	F03/04
1"	20	34.2	26.6	34.1	15.9	99	9	11.8	42.5	10	F03/04
1/4"	25.4	43	35.1	42.2	17.5	110	11	13.8	49.8	12	F04/05
1 1/2"	31.8	49	40.9	48.3	19.1	117	11	13.8	54.5	12	F04/05
2"	38.1	61.11	52.5	60.3	22.2	128	14	17.8	64.2	14	F04/05

UNIT:mm

NO.	PART NAME	MATERIAL	
		STAINLESS STEEL	
1	BODY	ASTM A351 GR. CF8M	
2	CAP	ASTM A351 GR. CF8M	
3	BALL	ASTM A351 GR. CF8M	
4	STEM	SS316	
5	SEAT	PTFE	
6	END SEAL	PTFE	
7	THRUST WASHER	PTFE	
8	STEM PACKING	PTFE	
9	GLAND	SS304	
10	BEVEL WASHER	SS301	
11	STEM NUT	SS304	
12	BOLTS	SS304	
13	BOLT WASHERS	SS304	
14	BOLT NUTS	SS304	
15	O-RING	VITON	
16	STATIC DEVICE	SPRING	
17	LOCK CAP	SS304	

ZHE THAI MACHINERY CO.,LTD.