

the Value Line

the Value Line

the Value Line



the Value Line

US REFRIGERATION

SINGLE GLASS DOOR

REFRIGERATOR

FREEZER

USBV-24SD

USBV-24SDF

*****FEATURES*****

- A high density, CFC free polyurethane insulation for the entire cabinet and solid door.
- Maximized and convenient storage space.
- Wire cage enclosure for added protection for the condensing unit.
- Oversized, high efficient compressor with automatic on-off evaporator fan.
- Self closing and stay open door.
- Magnetic gasket
- All electronic parts are UL listed.
- Stainless steel exterior and interior with a galvanized steel back.
- Stainless steel door hinges.
- NEW LED interior lighting!

**SINGLE GLASS DOOR
REFRIGERATOR & FREEZER**

USBV-24SD

USBV-24SDF



USBV-24SD

USBV-24SDF

TECHNICAL SPECIFICATIONS

MODEL	DIMENSIONS	DOORS	SHELVES	TEMP RANGE	HP	VOLTAGE HZ	AMPS	FT ²	WEIGHT
USBV-24SD	27 x 31-1/2 x 84	1	3	33.8F-46.4F	1/4	115V/60	3.5	24	264
USBV-24SDF	27 x 31-1/2 x 84	1	3	-13F TO -1.4F	1/2	115V/60	6.6	24	264

US REFRIGERATION

6890 Distribution Drive • Beltsville, Maryland 20705 USA

(888) 556-2112 Office • (301) 595-1730 Facsimile

www.us-refrig.com



Call US: (888) 556-2112

the Value Line

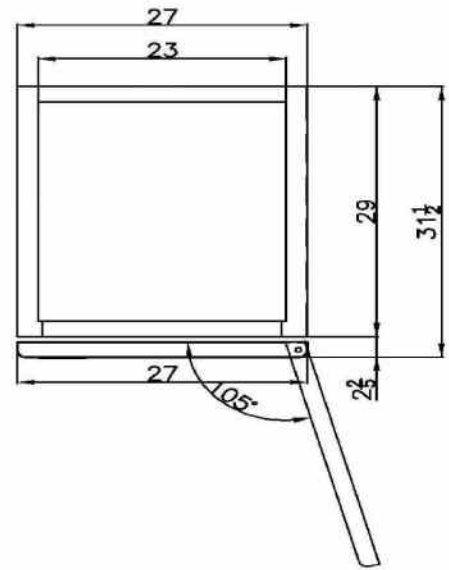
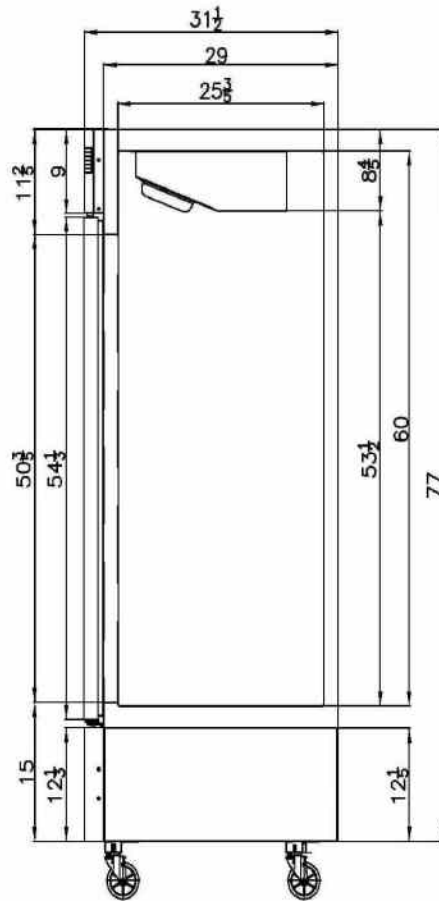
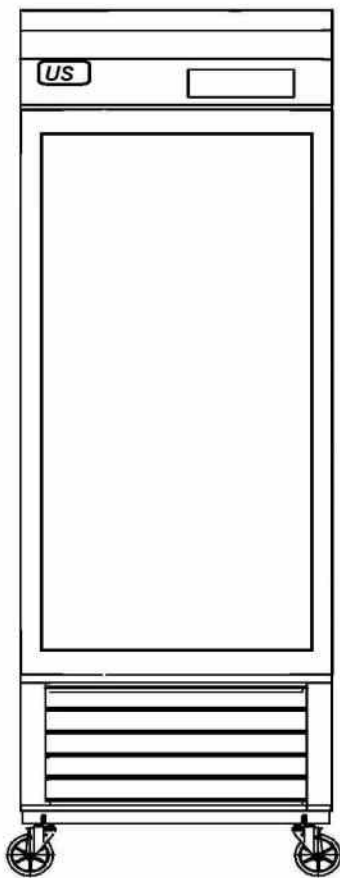
the Value Line

the Value Line



**SINGLE GLASS DOOR
REFRIGERATOR & FREEZER**

**USBV-24SD
USBV-24SDF**



MODEL	DIMENSIONS
USBV-24SD	27 x 31-1/2 x 84
USBV-24SDF	27 x 31-1/2 x 84

US REFRIGERATION

6890 Distribution Drive • Beltsville, Maryland 20705 USA

(888) 556-2112 Office • (301) 595-1730 Facsimile

www.us-refrig.com