

# SUR-FEED™ ROLL FEEDER

RF SERIES



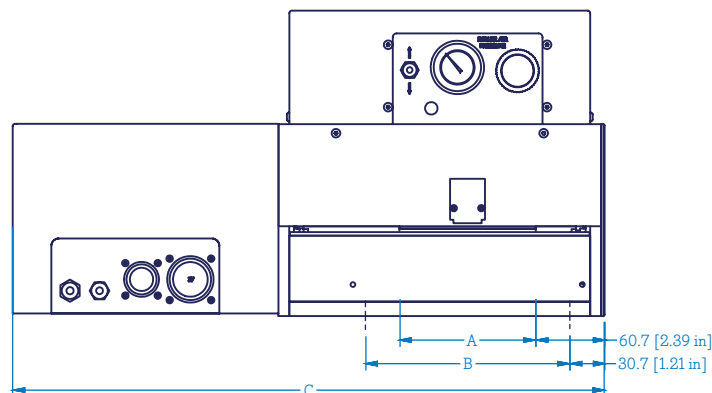
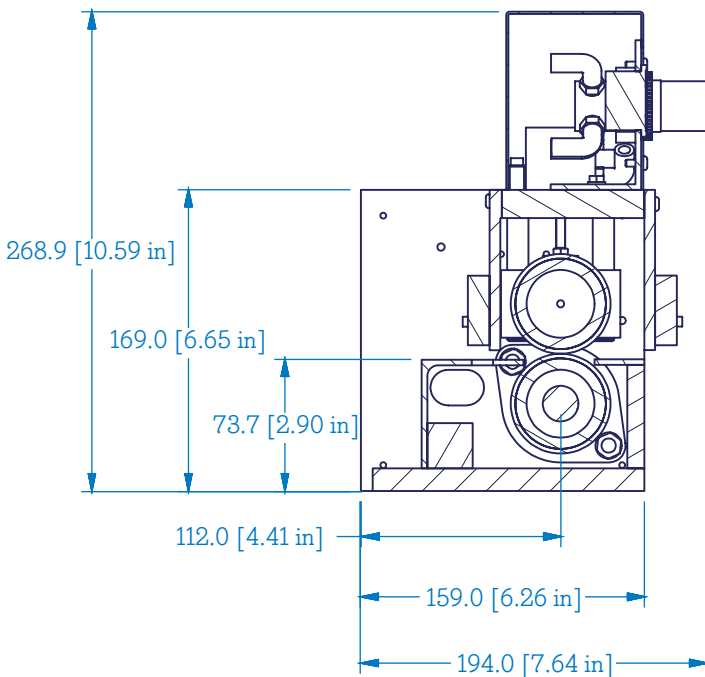
# SUR-FEED™ ROLL FEEDER

## RF SERIES TECHNICAL SPECIFICATION

Solid Models Available Online

These feeders index webs of material through a production process. The process may be cutting, stamping, or any other operation that requires intermittent motion. The units can feed continuously as a slave to another machine.

These feeders are driven by high performance 5-phase stepper motors or a servo motor system for high torque and speed. The web is gripped by precision ground urethane rollers.



## BENEFITS

- Easy to install
- Simple setup
- Low maintenance; sealed bearings and servo motor drive system
- Modular construction with separate control panel
- Operator keypad for easy data entry
- Battery backup and program storage
- Urethane nip rolls to control web
- Password protection
- High torque gear head
- Adjustable speed and acceleration
- One-shot operation
- Electronic recalibration

## SPECIFICATIONS

- Power requirements: 110 V AC or 220 V AC
- Speeds up to 350 cycles per minute
- I/O ports: 8 inputs and 4 outputs
- Minimum length: 0.1 mm/0.005"
- Max quantity count: 999,999
- Accuracy: +/- 0.25 mm/0.01" or 0.01% of cut length (whichever is larger)
- Feeds a variety of widths and thicknesses

## OPTIONS

- Specials up to 1800 mm/70" wide
- No-product sensor
- Feed lengths up to 55 km/34.3 miles
- Static control
- Steel drive roller
- Unwind stand
- Eye registration
- RS-232 interface
- Line speed tracking
- Slitter attachment
- Servo drive available on RF-110 to RF-630
- Pneumatic preload available on RF-110 to RF-630

MODEL	UNIT	A	B	C	WEIGHT	
RF-110	mm	120	180	522	kg	14
	in	4.7	7.1	20.5	lb	31
RF-160	mm	170	230	572	kg	16
	in	6.7	9.1	22.5	lb	35
RF-250	mm	260	320	662	kg	20
	in	10.2	12.6	26.1	lb	44
RF-400	mm	410	470	812	kg	27
	in	16.1	18.5	31.9	lb	60
RF-630	mm	640	700	1042	kg	32
	in	25.2	27.6	41.1	lb	71



### WARNING:

EQUIPMENT MUST BE GUARDED IN ACCORDANCE WITH ALL FEDERAL, STATE, AND LOCAL REQUIREMENTS



visit us online!



FOR ALL YOUR FEEDING AND CUTTING NEEDS

26 Just Road, Fairfield, NJ, 07004 | 973-439-1428 | [azcocorp.com](http://azcocorp.com)