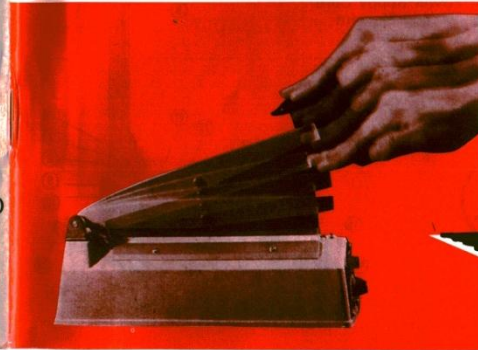


HEATING ADJUSTMENT LIST

MATERIAL INDICATOR	POLYETHYLENE	POLYPROPYLENE OR HIGH-HEAT FILM
1	UNDER 0.06m/m	
2	UNDER 0.1m/m	
3	UNDER 0.14m/m	
4	UNDER 0.2m/m	UNDER 0.03m/m
5		UNDER 0.044m/m
6		UNDER 0.06m/m
7		UNDER 0.08m/m

IMPULSE SEALER

INSTRUCTION MANUAL



AMERICAN INTERNATIONAL ELECTRIC CO



1 DESCRIPTION OF EVERY PART

- | | |
|------------------|-------------------------|
| ① Handle Knob | ⑪ Lower Element Teflon |
| ② Platen Arm | ⑫ Upper Teflon Cloth |
| ③ Platen Spring | ⑬ Strain Relief Bushing |
| ④ Platen | ⑭ Power Supply Cord |
| ⑤ Silicon Rubber | ⑮ Heating Element |
| ⑥ Swivel | ⑯ Pilot Lamp |
| ⑦ Hinge | ⑰ Timer Knob |
| ⑧ Hinge Bracket | ⑱ Control Panel |
| ⑨ Enclosure | ⑲ Variable Resistor |
| ⑩ Metal Plate | ⑳ Switch Level |

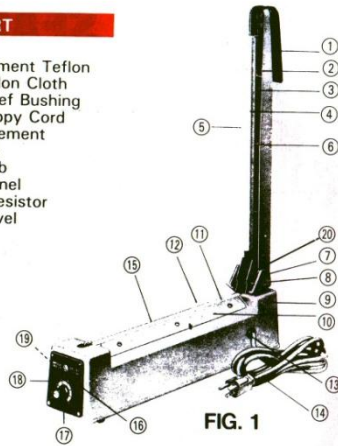


FIG. 1

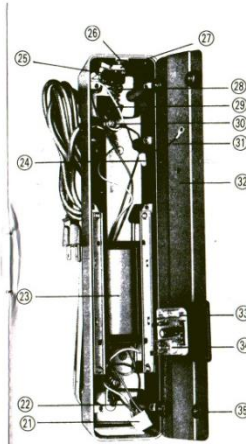
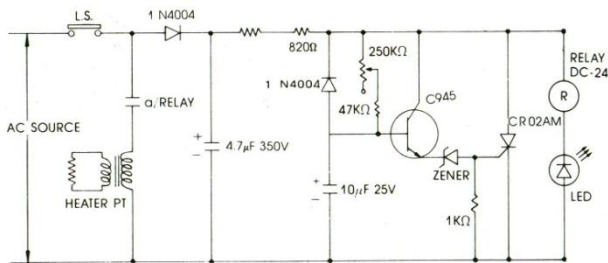


FIG. 2

**USE ONLY GENUINE
REPLACEMENT PARTS**

- | | |
|-----------------------|------------------------------|
| ⑳ Wire Connector | ⑳ Switch Lever (Bottom View) |
| ㉑ Internal Wiring | ㉑ Heater Terminal Assembly |
| ㉒ Connectors | ㉒ Grounding Wire |
| ㉓ Microswitch | ㉓ Cover Plate |
| ㉔ Switch Bracket | ㉔ Printed Wiring Board |
| ㉕ Switch Insulation | ㉕ Relay |
| ㉖ Switch Lever Spring | ㉖ Rubber Foot & Screw |

2 CONNECTION DIAGRAM



3 PURPOSE

This Impulse Sealer is to insure a water tight and air tight seal for effective autoclaving and sterilization procedure.

4 CHARACTERISTIC

*Compact Design
Strong Water Tight Seal
Fast Operating
Power Saving
Precision Electronic Circuit
Long Life*

5 OPERATION

- Plug cord into AC outlet. No switch necessary. Machine will operate only when arm is depressed. Regulate the timer according to thickness of material to be sealed. Use a higher-number for thicker material. Pull handle down. Sealing takes place when light is on. Leave down for additional second after light goes off for a better seal.
- Use a lower number in case seal burns through
- Raise to higher number when seal isn't tight
- Should bag stick to silicon rubber, you did not give enough cooling time.
- Once you set the time, no need to reset as the machine will remain constant and unchanged.
- No need to remove plug from socket as machine will not operate unit until handle is lowered. No Power is consumed.

6 NOTES

- Always keep sealing platform clean. Leaving residue will reduce life of element, teflon, and silicon rubber.
- Never use moisture to clean sealing surface.
- Replace torn teflon at once. A torn cloth will short circuit the element and damage it. Every time you replace the element, replace the lower and upper teflon cloth.
- For best operation, use only genuine replacement parts.
- A worn silicon rubber will influence the seal, change the silicon when worn or burned.
- Unplug wire when servicing the machine.

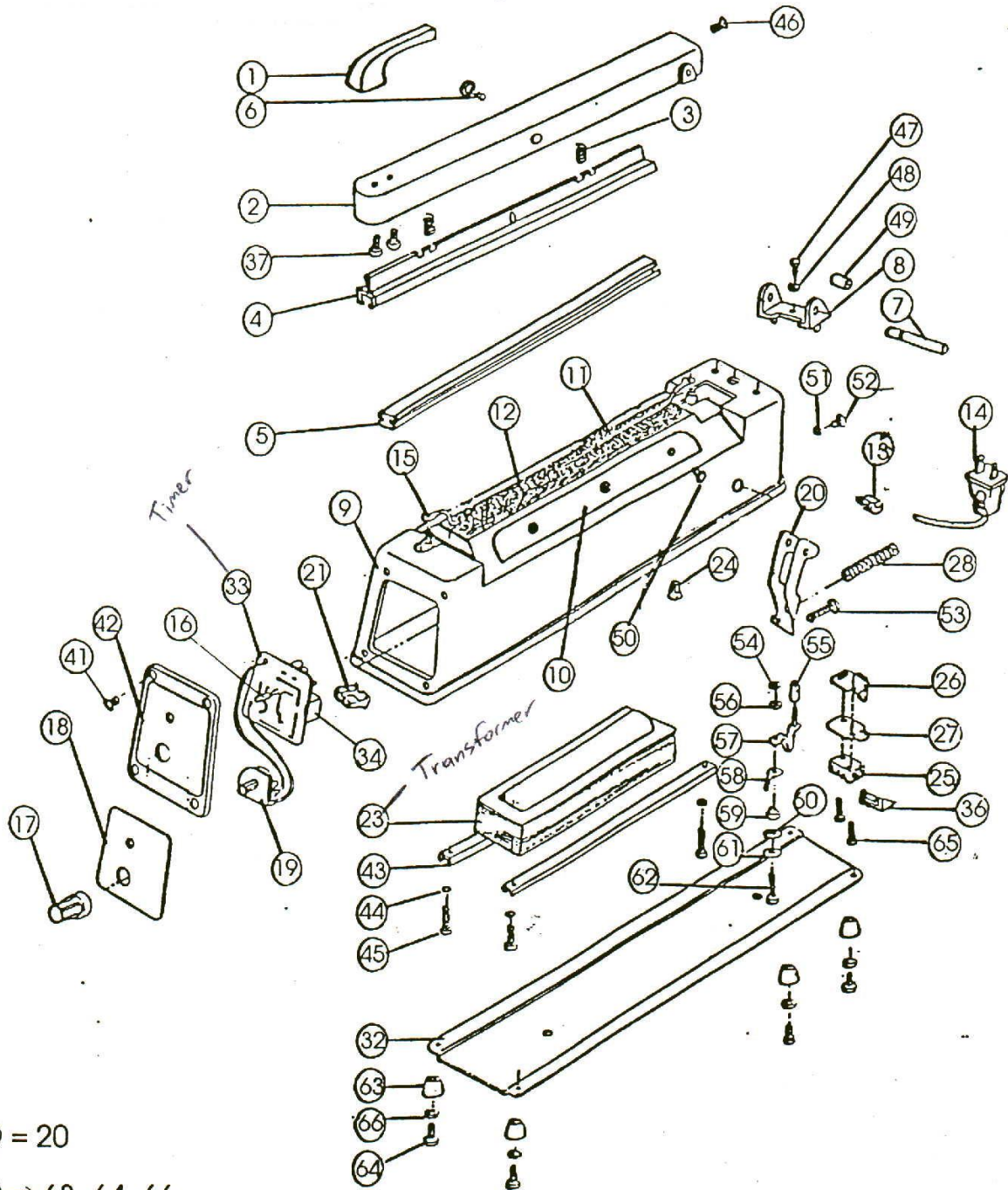
7 SPARE PARTS

ACCESSORIES	Q'TY
HEATING ELEMENT	2
UPPER CLOTH	2

AIE-400

No.	Description	Part#	No.	Description	Part#
1	Bakelite Handle	*BA300H	34	Relay	*RELAY-H
2	Casting Arm	*ARM400H	35	Rubber Foot	*FOOT-H3
3	Platen Spring	*PLATSP4	36	Activator	*ACTIV
4	Platen	*PLATEN4	37	Screw	*SCREW#37
5	Silicon Rubber	*SR400P	38	No Listing	
6	Screw	*SCREW#6	39	No Listing	
7	Handle Pole	*PART#7	40	No Listing	
8	Hinge Pin	*HINGE3	41	Screw	*SCREW#41
9	Casting Body	*BD400P	42	Timer Cover	*TICOVER3
10	Side Metal Plate	*MPLATE400P	43	Transformer Cover	*TRCOVER4
11	Lower Teflon	*TFL400H	44	Washer	*WASHER#44
12	Upper Teflon	*TF400H	45	Screw	*SCREW#45
13	Power Cord Holder	*CORDHOLD	46	Screw	*SCREW#46
14	Power Cord	*CORD	47	Screw	*SCREW#47
15	Element Wire	*EF400H	48	Washer	*WASHER#48
16	Led	*LED	49	Shaft liner Handle	*PART#49
17	Control Panal Knob	*KNOB	50	Screw	*SCREW#50
18	Control Panel	*PANEL-4	51	Washer	*WASHER#51
19	Verb Registor 250K	*VR250K	52	Screw	*SCREW#52
20	Switch Lever	*LEVER4	53	Screw	*SCREW#53
21	Connection Bush	*BUSH-H	54	Washer	*WASHER#54
22			55	Insulator for Bow Spring	*PIPE-AIE
23	Transformer	*TR400P	56	Insulating Washer	*PART#56
24	Connection Bush	*PART#24	57	Bow Spring	*BOW-H
25	Micro Switch	*MICRO-H	58	Brass Contact	*PART#58
26	MS Fixed Adjusting Piece	*PART#26	59	Convex Bakelite	*PART#59
27	MS Insulating Electric Piece	*PART#27	60	Washer	*WASHER#60
28	Moving Spring	*MOVESP4	61	Washer	*WASHER#61
29	Switch Lever	*LEVER4	62	Screw	*SCREW#62
30	Bow Spring Screw Washer	*BOW-SET	63	Rubber Foot	*FOOT-H2
31			64	Screw	*SCREW#64
32	Bottom Cover	*COVER4	65	Screw	*SCREW#65
33	Timer	*TI400P	66	Washer	*WASHER#66

AIE-300H, 400H



②⑨ = 20

③⑤ → 63, 64, 66

③⑩ → 54, 55, 56, 57, 58, 59, 60, 61, 62

* No listing numbers: 22, 31, 38, 39, 40