

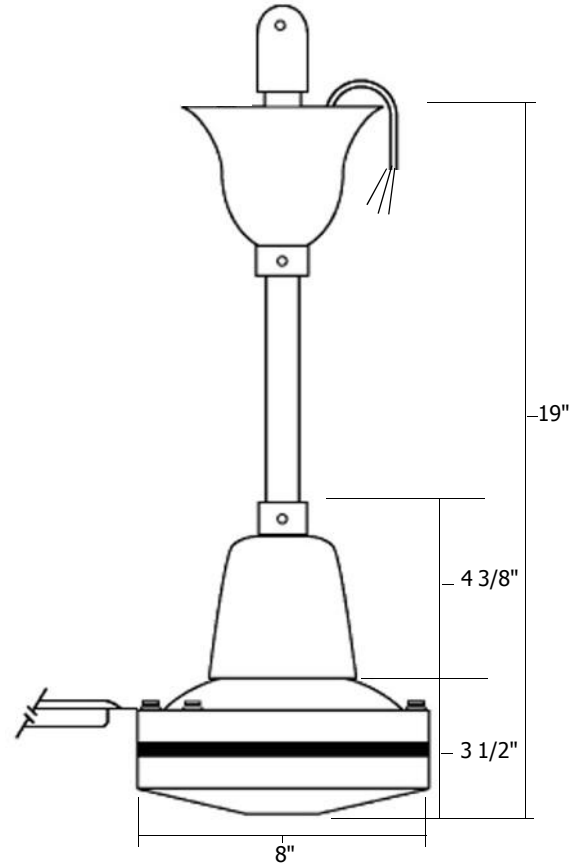
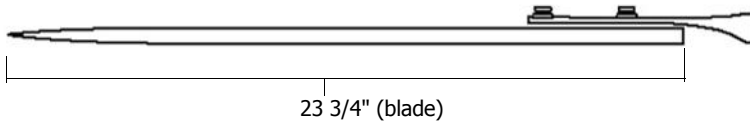
AGRIFAN

Platinum Line 190C-7

Specifications:

Size: 56" (straight blades)
Weight: 24 lbs.
CFM: 34,500
Area: 2,100 sq. ft.
RPM: 350
Amps: .64
Volts: 120V, 60Hz

Safety Cable: 13"
Lead Wires: 20" (from top of bell)



Features:

Thermo Protected Motor
Cast Iron Motor Housing
Aluminum Blades
UL Listed
UL Waterspray Tested & Approved
3 year warranty for agricultural applications
10" Downrod (3/4" i.d.)



Note:

To reduce risk of injury to persons, install fan so that blades are at least 10 feet above floor
Technical specifications subject to change without notice

Northwest Envirofan

A Division of Northwest Environmental Systems, Inc.

Envirofan Ceiling Fans • Protecto-Guard Ceiling Fan Guards • Fan Controls

800-236-7080

(920) 235-7808

FAX (920) 235-3049