

JTGTB 金属精密过滤器 Metal Precision Cartridge Filter

金属粉末反冲洗过滤器 Metal powder back flush filter housing

●JTGTB金属精密过滤器，适合过滤高温高压、高固含量的物料。过滤器采用反吹清洗方式，可连续自动化操作，避免了频繁的人工清洗和不必要的停车；且最大化减少了滤材及残液对环境造成的污染。

●金属精密过滤器能除去清水中的异色，异味和汞，铅，镉，锌，铁，锰，铬等重金属物质，还可去除清水中的砷，氢化物，硫化物，余氯等高分子化合物及锶，镭等放射性物质，除去和杀死水中的细菌和大肠杆菌以及其它致癌物质；广泛食品饮料、制药、化工等行业的固液分离，在制药行业尤其适用于输液针剂生产线中的脱炭过滤。

●JTGTB Metal precision filter, suitable for filtering the high temperature and high pressure, high solid content of the material. Filter using reverse cleaning method, can be continuous automation, to avoid the frequent manual cleaning and unnecessary parking; And maximal decrease the pollution of filter material and the residual liquid to the environment.

●Metal precision filter can remove water in different color, odor and mercury, lead, cadmium, zinc, iron, manganese, chromium, and other heavy metal material, also can remove the arsenic in the water, and hydride, sulphide, residual chlorine and other high molecular compound and strontium, radium and other radioactive substances, remove and kill the bacteria and e. coli and other carcinogens in the water; Food and beverage, pharmaceutical, chemical and other industries of solid-liquid separation, especially in the pharmaceutical industry is suitable for the decarburization filtration of transfusion injection production line.



产品特点

●金属滤芯，主要钛棒滤芯，具有耐高温、高压、强酸、强碱、耐腐蚀，通过冲洗或酸碱浸泡后可反复再生使用。

Feature

●Metal filter cartridge, mainly Titanium rod cartridge has high temperature, high pressure resistance, strong acid, strong alkali, corrosion resistance, it can be used repeatedly after washing or soaking by acid and alkali

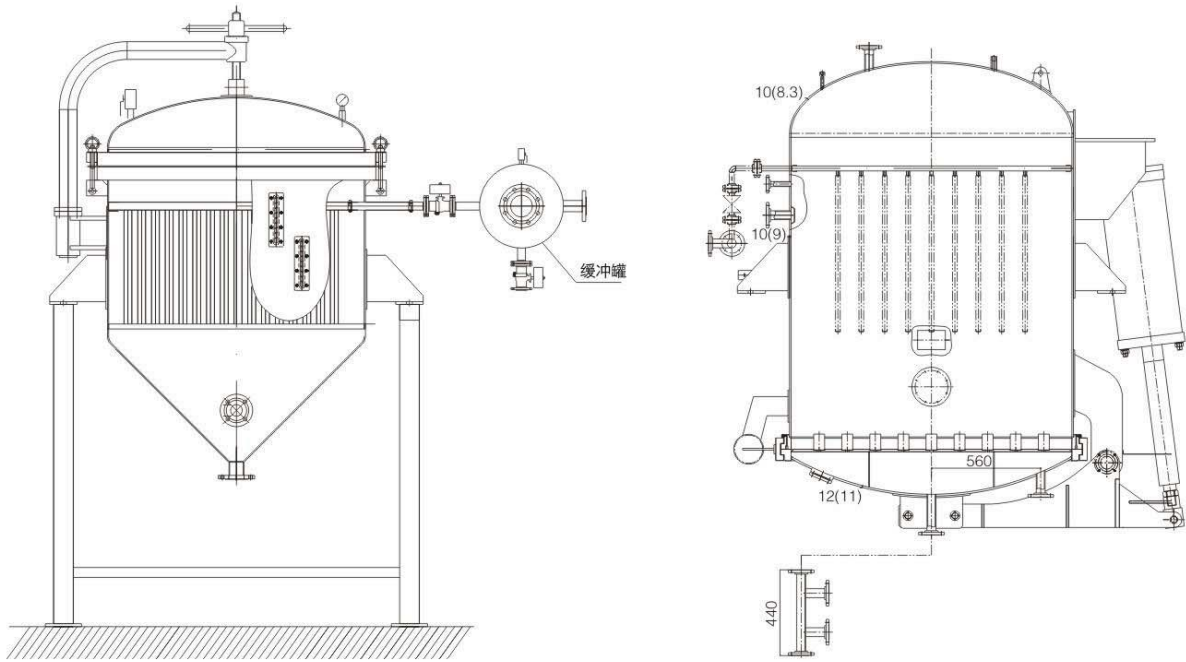
典型的应用

- 电子工业：电子、微电子、半导体工业用水等过滤。
- 医药工业：原料药、溶剂性药液、物料的脱碳过滤等过滤。
- 化学工业：有机溶剂、化学试剂、液体原料、催化剂等过滤。
- 食品工业：啤酒、饮料、矿泉水、植物油、酱油、醋等过滤。
- 炼油工业：油田回流水过滤、海水淡化领域反渗透前的保安过滤。

Application

- Electronics industry: electronic, microelectronics, semiconductor industry water filtration.
- Pharmaceutical industry: pharmaceutical raw materials, solvent liquid medicine, decarbonize material filtration.
- Chemical industry: organic solvents, chemical reagents, liquid raw materials, catalysts, etc. filtration.
- Food industry: beer, beverage, mineral water, vegetable oil, soy sauce, vinegar, etc. filtration.
- Oil refining industry: oilfield reflux water filtration, industry filtration before reverse osmosis desalination field.

常规结构 Structure



金属精密过滤器 Metal precision filter housing

操作条件 Operating Conditions

最大操作压力 Max operating pressure	0.6MPa
最大操作温度 Max operating temperature	200℃

材料 Material

过滤器壳体 Shell	304、316L
排气/液阀 Vent/ Drain valve	304、316L
吊环螺栓 Eyebolt	304
支脚 Stabilizer blade	304
密封圈、垫片 O-ring	三元乙丙橡胶、聚四氟乙烯、氟橡胶、硅橡胶 EPDM, PTFE, Viton, Silicone

表面处理 Surface Finish

处理类型 Finish type	机械抛光 Mechanical polishing
抛光精度 Polishing precision	内壁 0.4 μm Inner surface Ra≤0.4 μm 外壁 0.4 μm Outside surface Ra≤0.6 μm

连接 Connection

壳体连接 Connection of shell	法兰(吊环螺栓) Flange(Eyebolt)
进出口 In-outlet	快装/法兰/螺纹 Tri-clamp, Flange, Thread
排污阀 Drain valve	快装 Tri-clamp
压力表(选配) Pressure gauge (option)	螺纹、快装 Thread, Tri-clamp
排气阀 Vent valve	螺纹 Thread
排渣 Slagging	气动控制自锁型排渣门、快装 Pneumatic control self-locking type discharge door, quick loading

JTGTB 选型表 Selection Table

[壳体直径 Diameter of shell]	[壳体材料 Shell Material]	[进出口连接 In-outlet connection]	[密封圈 O-ring]
1000T	4	K	S
1000T=直径Φ1000钛棒过滤(下同)	4= 304	F=法兰 Flange	E=三元乙丙橡胶 EPDM
1300T	6= 316L	K=快装 Tri-clamp	P=聚四氟乙烯 PTFE
1800T		L=螺纹 Screw thread	V=氟橡胶 Viton
2500T			S=硅橡胶 Silicone