

## JTRKC 咖啡萃取罐 Coffee Extraction Tank

咖啡萃取罐严格遵循《药品生产质量管理规范》GMP总则(2010年修订)第三十一、三十二条要求,并按《压力容器》(GB150—2011)或《钢制焊接常压容器(附标准释义)》(NB/T 47003.1—2009)要求进行设计、制造及验收。

咖啡萃取罐通常采用立式圆罐体,上均为标准的椭圆形或蝶形封头,下均为标准的蝶形或椭圆形封头,罐体内壁过渡段均采用圆弧过渡,无卫生死角,易清洗,罐体内镜面抛光处理,符合卫生规范要求。

咖啡萃取罐配置机械搅拌,同时采用气动控制自锁型排渣门结构。

The Coffee Extraction Tank be designed, manufactured and inspected in accordance with the pressure vessel standard (GB150-2011) and the steel welded atmospheric pressure vessel standard(NB/T 47003.1-2009), strictly meet to GMP certificate requirements.

Coffee Extraction Tank usually uses vertical circular tank body, the top is an open structure, the bottom is standard conical head, inner wall of tank adopts circular arc transition, no dead corner, easy to clean; tank body and the bottom head is equipped with the jacket and insulation layer, tank inner wall are mirror polished, meet the sanitary standard.

Coffee Extraction Tank is equipped with mechanic Agitator and adopts Pneumatic control self-locking type discharge door structure.



### 产品特点

- 容积有1000L~5000L等多种规格,可根据客户实际需求进行设计、制造。
- 气动控制自锁型排渣门不仅无泄漏,而且保证在突然断电或停气情况下,排渣门不会自动打开,使用安全可靠。
- 接口采用快装卡盘式(卡接),罐体内胆选用304或316L,内表面镜面抛光 $Ra \leq 0.28 \mu m \sim 0.6 \mu m$ ,外表面可根据客户要求要求进行抛光、拉丝、喷砂等。

### Feature

- Volume: 1000L~5000L and multiple specification, also can design and manufacture according to customers' requirement.
- Pneumatic control self-locking type slag extraction valve not only ensures no leakage, but also guarantee under the condition of suddenly without electricity or gas, slag discharge door won't open automatically, safe and reliable operation.
- The connection adopts Tri-clamp, the tanks' inner use 304 or 316L. The inner surface mirror polishing  $Ra \leq 0.28 \mu m \sim 0.6 \mu m$ . Outer surface can be polished, wiredrawn, sandblasted according to customer's requirement.



### 罐体可选配置

咖啡萃取罐的罐体可选配置无菌空气过滤器、温度计（数显式或表盘式）、压力表、视镜、卫生级人孔、进出液孔、CIP万向旋转清洗球、安全阀等，或根据客户要求配置。

### Tank Optional Configuration

The body of Coffee Extraction Tank can chose sterile air filter, thermometer(Digital display or Dial type), pressure gauge, sight glasses, sanitary manhole, liquid in-outlet, CIP Universal rotating cleaning ball, safety valve, also can configure as customers' requirement.

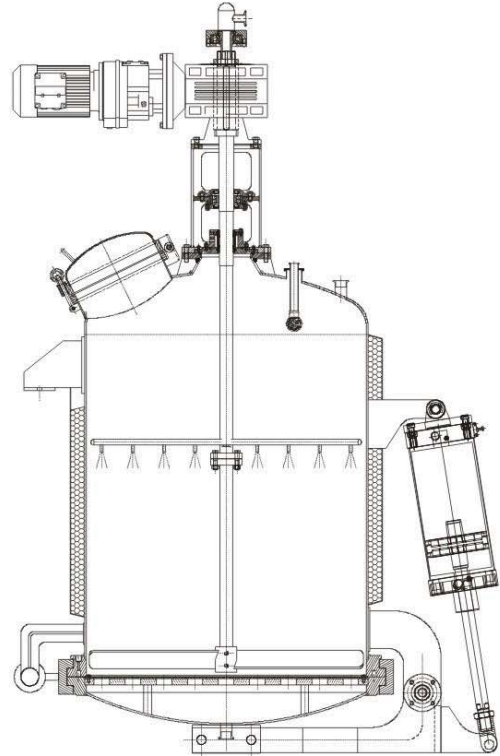
### 典型的应用

适用于咖啡等的萃取。

### Application

Used for extracting coffee

### 常规结构 Structure



### 常规设计参数 Design Parameter

设计压力 Design pressure	按客户要求(ATM ~ 0.8MPa)
设计温度 Design temperature	罐体、夹套按客户要求(0°C ~ 160°C)

### 材料 Material

内胆 Liner	304、316L
保温层 Insulation	岩棉(保暖) Rock wool (keep warm)
支腿等 Legs	304

### 连接 Connection

进出口 In-outlet	快装卡接、法兰 Tri-clamp, Flange
---------------	---------------------------

### 表面处理 Surface Finish

处理类型 Finish type	机械抛光、电解抛光、喷砂、酸洗 Mechanical/electrolytic polishing, sand blasting, pickling
抛光精度 Polishing precision	内壁0.4 μm, 外壁0.6 μm Inner surface Ra ≤ 0.4 μm, Outside surface Ra ≤ 0.6 μm

### 储罐常规型号及主要技术参数 Normal Model And Main Technical Parameters

参数 Parameters	型号 Model	JTRKC-1000	JTRKC-1500	JTRKC-2000	JTRKC-3000	JTRKC-5000
有效容积 Effective volume (L)		1000	1500	2000	3000	5000
罐体 Tank	直径 Diameter (mm)	Φ 1100	Φ 1250	Φ 1300	Φ 1600	Φ 1800
	高度 Height (mm)	1000	1200	1500	1500	1800
搅拌 Mixing	电机功率 Power (kW)	1.5	1.5	2.2	3	4
	搅拌工作转速 RPM (r/min)	60 (倾叶开启涡轮式) (可根据客户使用情况进行调整设计) 60(Special open turbine impellers) (Can adjust the design according to the customer's usage)				

上表数据为标准型，仅供参考，可根据客户要求定制；  
The above-mentioned data is the standard, it can customize according to customer's requirements.