

Diaphragm-Type Seals

Type M932.DD Direct Drive System

WIKA Datasheet M932.DD

Applications

- For use in corrosive, contaminated or viscous media
- Media that typically clogs pressure gauges
- Processes containing stringent emission requirements

Special features

- Assembly does not allow access to diaphragm seal system fill fluid (tamper-proof)
- No threaded connections among pressure containing components
- 316L stainless steel, Monel® or Hastelloy® C276 process wetted materials

Standard version

Design

Process industry direct drive gauge with integral diaphragm seal; hydraulic fluid transmits pressure to instrument.

Gauge Size

4½" direct drive process gauge, lower mount ; (232.34DD)

Process Connection

½" NPT- male

Suitable Pressure Ranges

Max 2,000 PSI

Operating Temperature

Ambient: -40°F to +190°F

Media: -40°F to +300°F

Process Wetted Materials

316L stainless steel

System Fill Fluid

Silicone oil DC200-10, KN68



Diaphragm Seal M932.DD

Dial

White aluminum with black lettering

Accuracy

±0.5% of span

Case Material

Fiberglass reinforced thermoplastic, yellow

Pointer

Black aluminum; external re-zero adjustability

Window

Acrylic

Available Options

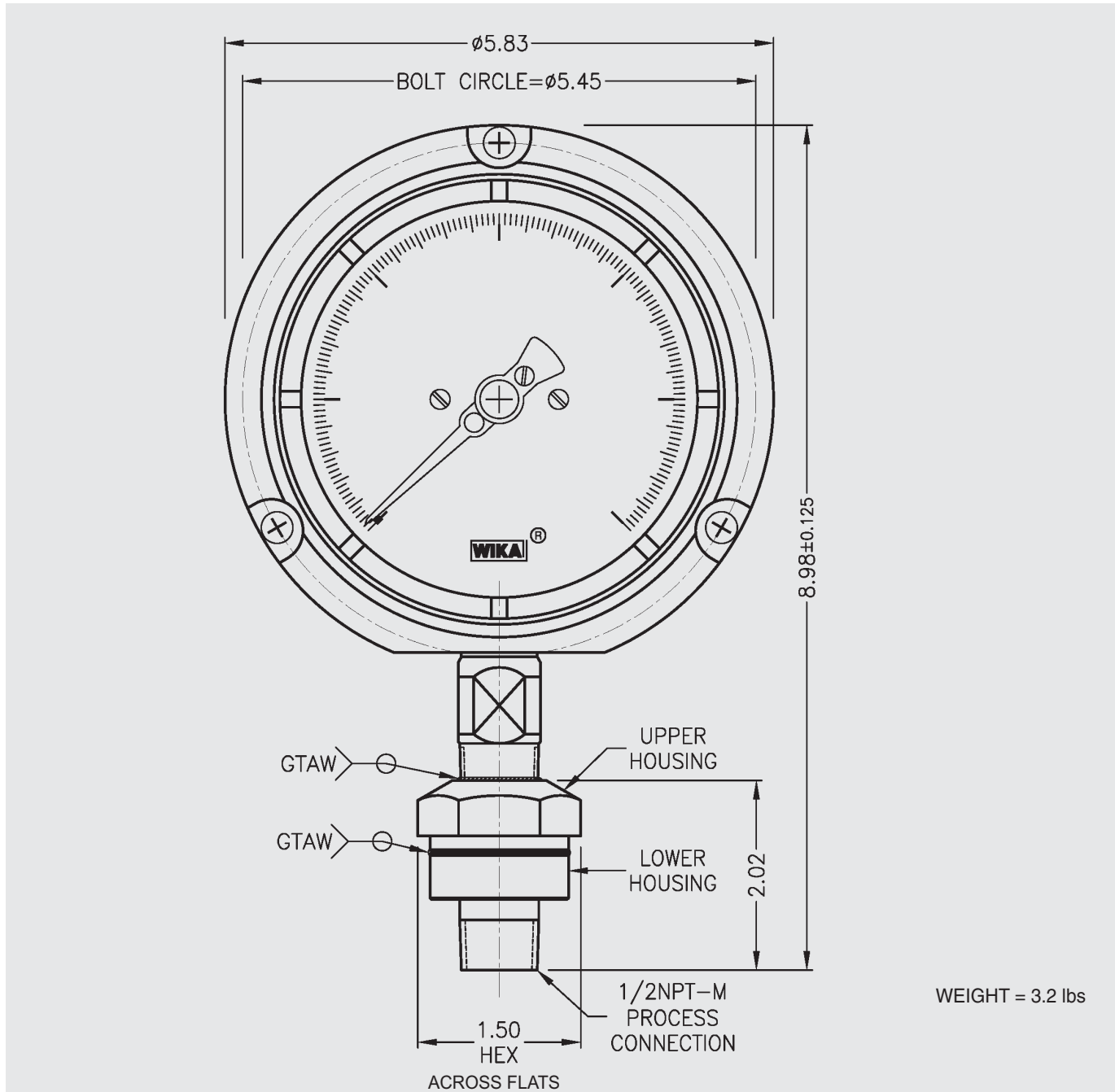
Process connection- ¼" and ½" NPT male and female

Process Wetted Material- Monel® or Hastelloy® C276 and others

System Fill Fluids- numerous available

Dimensions

Standard versions



Ordering information

State computer part number (if available) /type number/size/range/connection size and locations/options required. WIKA reserves the right to make changes without prior notice.

Specifications and dimensions given represent the state of engineering at the time of printing. Modifications may take place and the specified materials may change without prior notice.



WIKA Instrument Corporation

1000 Wiegand Boulevard
Lawrenceville, GA 30043
1-888-WIKA-USA /770-513-8200 (in GA)
Fax 770-338-5118
info@wika.com www.wika.com